
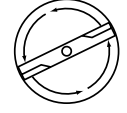


Jonsered

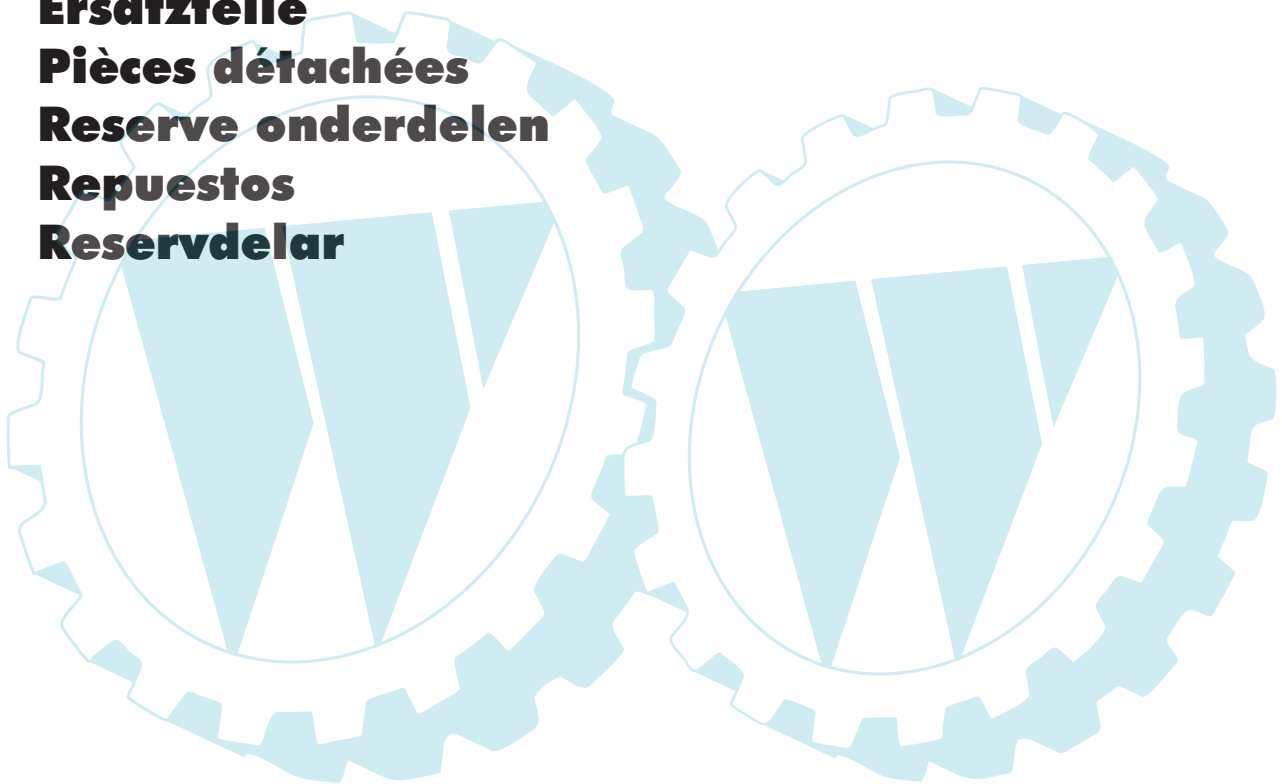
SERVICE 		12 10000009
-----------------------------------------------------------------------------------------------	-------------------------------------------------------------------------------------	------------------------------

IPL, FT 5, 2000-02, 106 26 19-61

JFT5M

FT 5

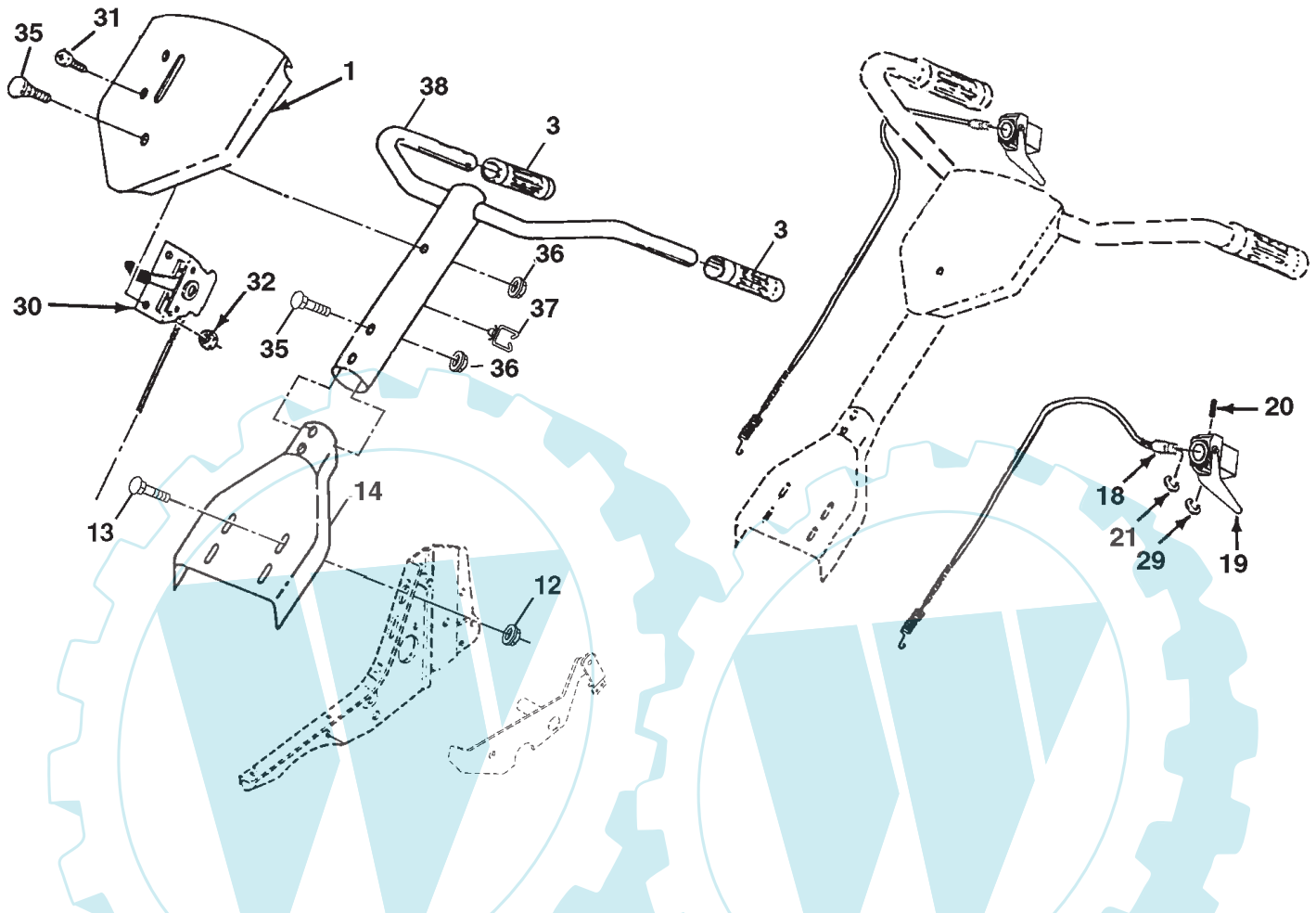
Spare parts
Ersatzteile
Pièces détachées
Reserve onderdelen
Repuestos
Reservdelar



106 26 19-61

REPAIR PARTS

TILLER - - MODEL NUMBER FT5 (JFT5M) PRODUCT NO. 954 00 33-11
HANDLE ASSEMBLY



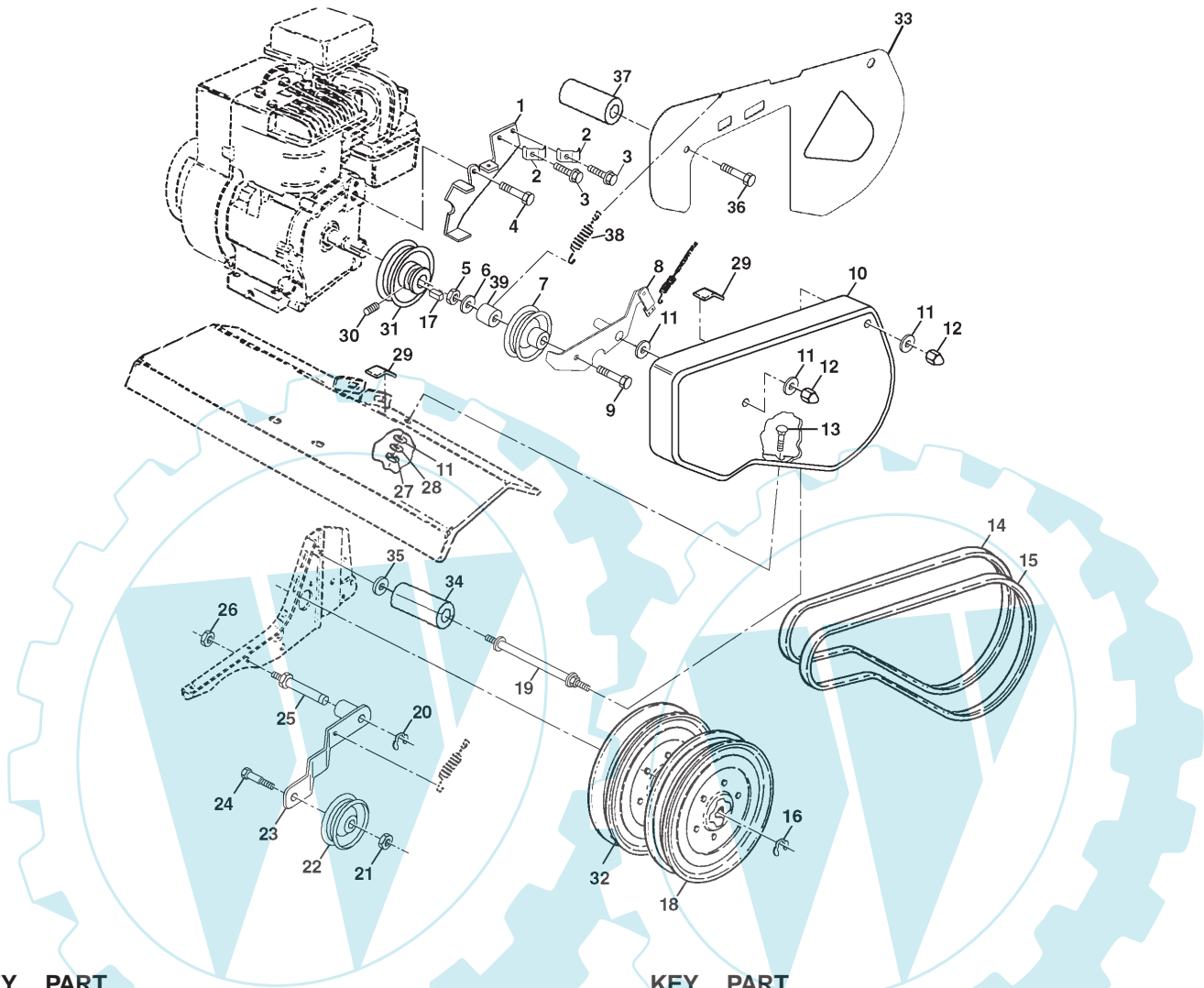
KEY NO.	PART NO.	DESCRIPTION
1	532161819	Panel Control
3	532110632	Grip Handle
12	898000129	Nut, Flange
13	872010506	Bolt, Carriage 5/16-18 x 3/4
14	532110514	Assembly, Panel and Tube
18	532166868	Cable, Clutch
19	532151229	Lever, tine Control
20	532154805	Pin, Pivot
21	812000027	Ring, Clip
29	812000059	Ring, Retaining

KEY NO.	PART NO.	DESCRIPTION
30	532157346	Throttle, Control 31.00
31	871191008	Screw, 10-24
32	873731000	Nut, Keps #10-24 UNC
35	872010520	Bolt, 5/16-18 x 2 1/2
36	873970500	Locknut, Flange 5/16-18 UNC
37	532165197	Clip, Cable
38	532166600	Assembly, Handle Column

NOTE: All component dimensions are given in U.S. inches. 1 inch = 25.4 mm

REPAIR PARTS

TILLER - - MODEL NUMBER FT5 (JFT5M) PRODUCT NO. 954 00 33-11 BELT GUARD AND PULLEY ASSEMBLY



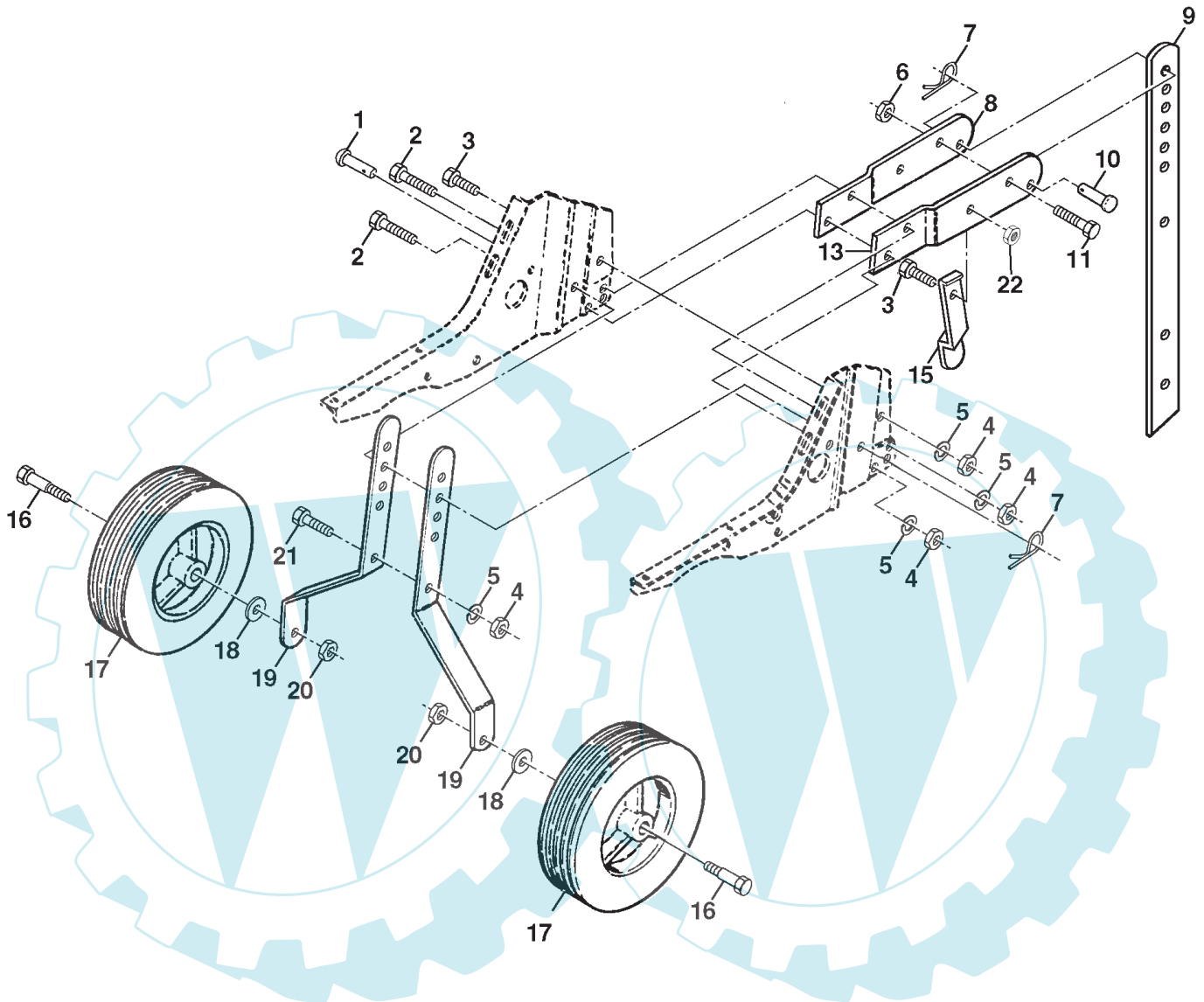
KEY NO.	PART NO.	DESCRIPTION
1	532166013	Assembly, Bracket, Belt Guard
2	532009484	Clip, Cable
3	532086777	Screw, Hex, Washer Hd., Slotted, Thd. Cutting #10-24 x 1/2 Type D
4	874610812	Bolt, Hex 1/2-20 x 3/4
5	873660600	Nut, Lock 3/8-16
6	819131316	Washer 13/32 x 13/16 x 16 Ga.
7	532002009	Pulley, Idler, Reverse
8	532159238	Assembly, Arm, Reverse Idler
9	874760628	Bolt, Hex 3/8-16 x 1-3/4
10	532161828	Guard, Belt
11	819091016	Washer 9/32 x 5/8 x 16 Ga.
12	532104213	Nut, Cap 1/4-20
13	872140405	Bolt, Carriage 1/4-20 x 5/8
14	531013151	V-Belt (Forward Motion)
15	531013152	V-Belt (Reverse)
16	812000028	Ring, Retainer
17	532002649	Key, Square
18	532151236	Sheave, Transmission, Flat
19	532110550	Bolt, Belt Guard
20	812000036	Ring, Klip
21	873350600	Nut, Hex, Jam 3/8-16

KEY NO.	PART NO.	DESCRIPTION
22	532161806	Pulley, Idler
23	532162290	Arm, Idler
24	874760620	Bolt, Hex 3/8-16 x 1-1/4
25	532106968	Shaft, Idler Arm
26	873350500	Nut, Hex Jam 5/16-18
27	873220400	Nut, Fin Hex 1/4-20
28	810040400	Washer Lock Hvy, Helical 1/4
29	532109227	Pad, Idler
30	823200404	Screw, Set, Socket, Headless C.P. 1/4-20 x 1/4
31	532101189	Sheave, Engine
32	532151223	Sheave, Transmission "V"
33	532159234	Shield, Belt guard w/Rev.
34	532156141	Spacer, Split .635 x .823 x 2.2
35	819091416	Washer 9/32 x 7/8 x 16 Ga.
36	874330516	Bolt 5/16 x 24 x 1
37	532156118	Spacer Split .327 x .42 x .500
38	532128085	Spring
39	532138909	Spacer

NOTE: All component dimensions given in U.S. inches.
1 inch = 25.4 mm

REPAIR PARTS

TILLER - - MODEL NUMBER FT5 (JFT5M) PRODUCT NO. 954 00 33-11
WHEEL AND DEPTH STAKE ASSEMBLY



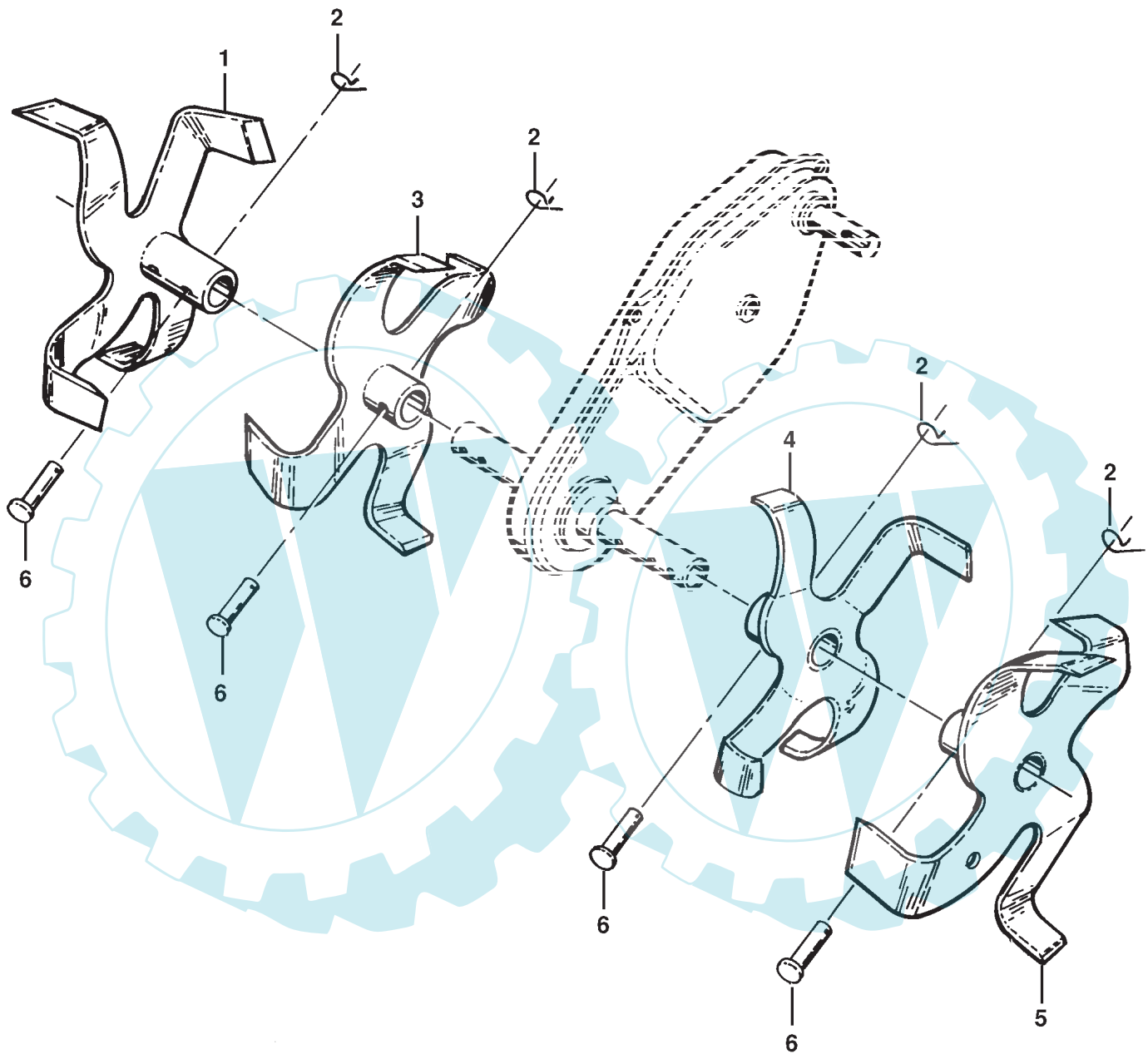
KEY NO.	PART NO.	DESCRIPTION
1	532009194	Pin, Clevis
2	874760520	Bolt, Hex 5/16-18 x 1-1/4
3	874760512	Bolt, Hex 5/16-18 x 3/4
4	873220500	Nut, Hex 5/16-18
5	810040500	Washer, Lock 5/16
6	873800600	Locknut, w/washer 3/8-16
7	532004921	Clip, Hairpin
8	532001952	Support, Depth Stake, R.H.
9	532122233	Stake, Depth
10	532000326	Pin, Clevis
11	874780628	Bolt, Hex, Fin 3/8-16 x 1-3/4
13	532001951	Support, Depth Stake, L.H.

KEY NO.	PART NO.	DESCRIPTION
15	532005388	Spring, Stake
16	532121117	Bolt, Shoulder
17	532127832	Wheel
18	819131311	Washer 13/32 x 13/16 x 11 Ga.
19	532124707	Bracket, Wheel
20	873680600	Locknut, Crown 3/8-16
21	874760516	Bolt, Hex 5/16-18 x 1
22	873800500	Locknut, w/insert 5/16-18

NOTE: All component dimensions given in U.S. inches.
1 inch = 25.4 mm

REPAIR PARTS

TILLER - - MODEL NUMBER FT5 (JFT5M) PRODUCT NO. 954 00 33-11
TINE ASSEMBLY

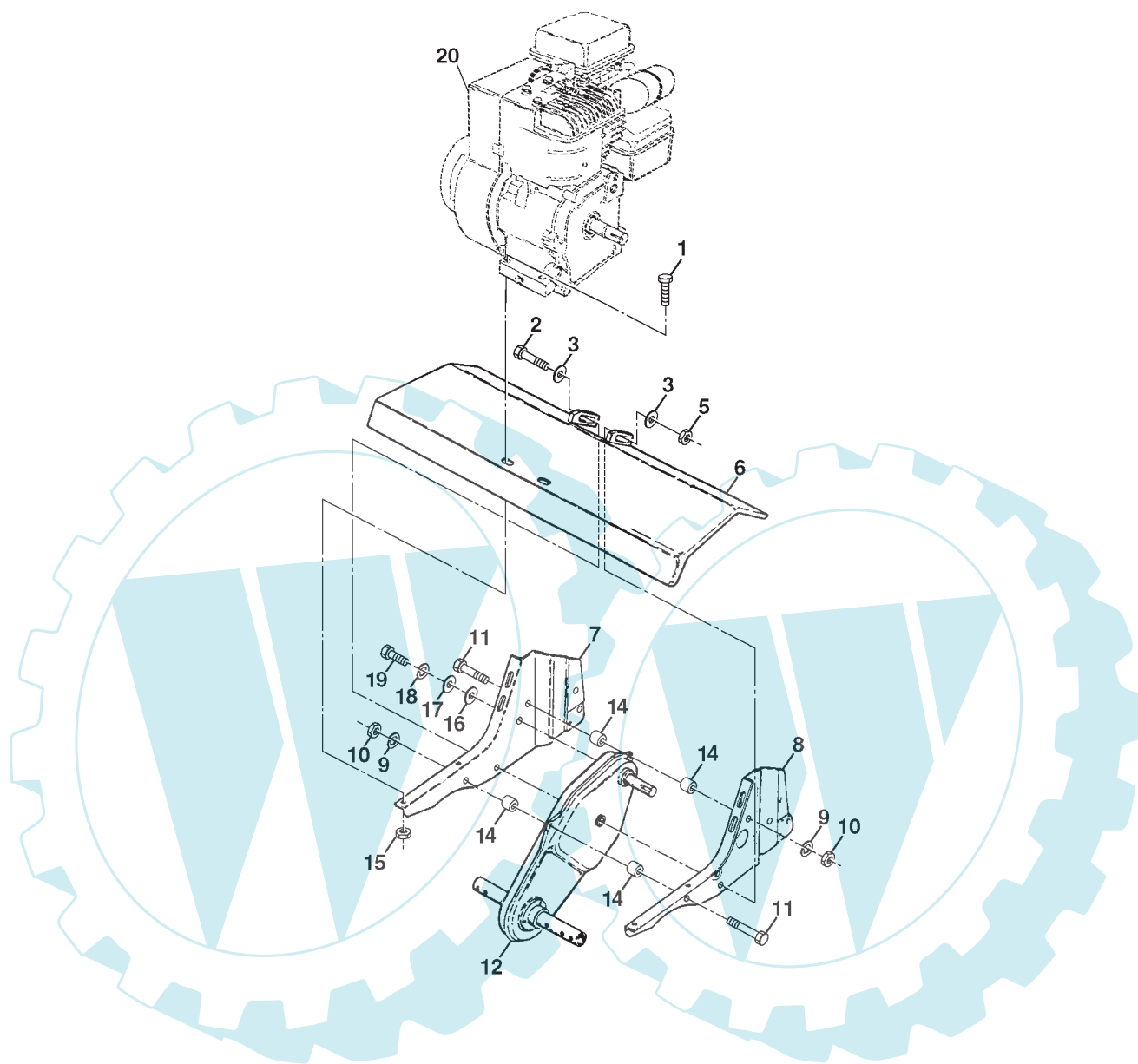


KEY NO.	PART NO.	DESCRIPTION
1	532156934	Tine, Outer, R.H.
2	532124660	Retainer, Spring Zinc
3	532156932	Tine, Inner, R.H.

KEY NO.	PART NO.	DESCRIPTION
4	532156931	Tine, Inner, L.H.
5	532156933	Tine, Outer, L.H.
6	532004929	Pin, Clevis

REPAIR PARTS

TILLER - - MODEL NUMBER FT5 (JFT5M) PRODUCT NO. 954 00 33-11
TRANSMISSION



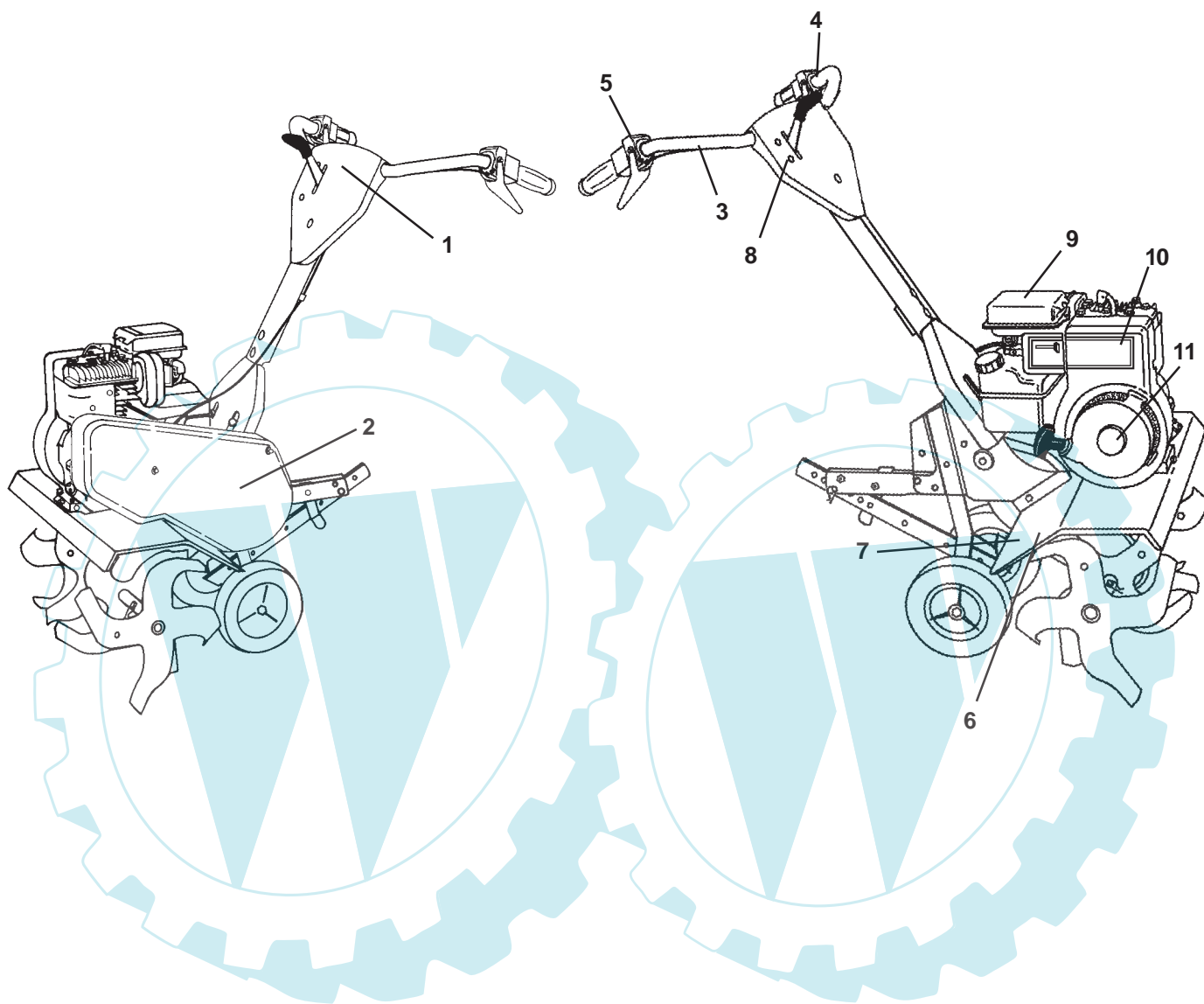
KEY NO.	PART NO.	DESCRIPTION
1	874760524	Bolt, Hex 5/16-18 x 1-1/2 Gr. 2
2	874780652	Bolt, Hex, Fin 3/8-16 x 3-1/4
3	819131311	Washer 13/32 x 13/16 x 11
5	873800600	Locknut, Hex, w/washer 3/8-16
6	532138343	Shield, Tine
7	532165835	Bracket, Engine, R.H.
8	532001948	Bracket, Engine, L.H.
9	810040500	Washer, Lock 5/16
10	873220500	Nut, Hex 5/16-18
11	874760544	Bolt, Hex 5/16-18 x 2-3/4
12	532151222	Transmission

KEY NO.	PART NO.	DESCRIPTION
14	532009173	Spacer, Split
15	873510500	Nut, Keps 5/16
16	819091412	Washer 9/32 x 7/8 x 12 Ga.
17	819092016	Washer 9/32 x 1-1/4 x 16 Ga.
18	810040400	Washer, Lock 1/4
19	874610412	Bolt, Hex 1/4-28 x 3/4 Gr. 5
20	-----	Engine Briggs Model 137202 (Order engine parts from engine manufacturer)

NOTE: All component dimensions given in U.S. inches.
1 inch = 25.4 mm

REPAIR PARTS

TILLER - - MODEL NUMBER FT5 (JFT5M) PRODUCT NO. 954 00 33-11
DECALS



KEY NO.	PART NO.	DESCRIPTION
1	532141117	Decal, Logo
2	532170753	Decal, Logo
3	532159877	Decal, Hand Placement
4	532158700	Decal, Control Forward
5	532158701	Decal, Control Reverse
6	532145437	Decal, Europe, Stand CE
7	532156129	Decal, Warning
8	532157607	Decal, Stop/Idle/Fast
9	532110612	Decal, Caution
10	532171803	Decal, Briggs & Stratton
11	532171804	Decal, 5HP
--	532160145	Manual, Operator's (Euro.)
--	532160146	Manual, Operator's (Scand.)